


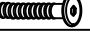





ASSEMBLY INSTRUCTIONS


Read these instructions carefully. Refer to hardware and furniture parts list for guidance. Be sure all parts are complete, before assembling. Place all wooden furniture parts on a clean and flat soft surface to prevent scratches. Refer to steps provided as assembling guide.

CAUTIONS :

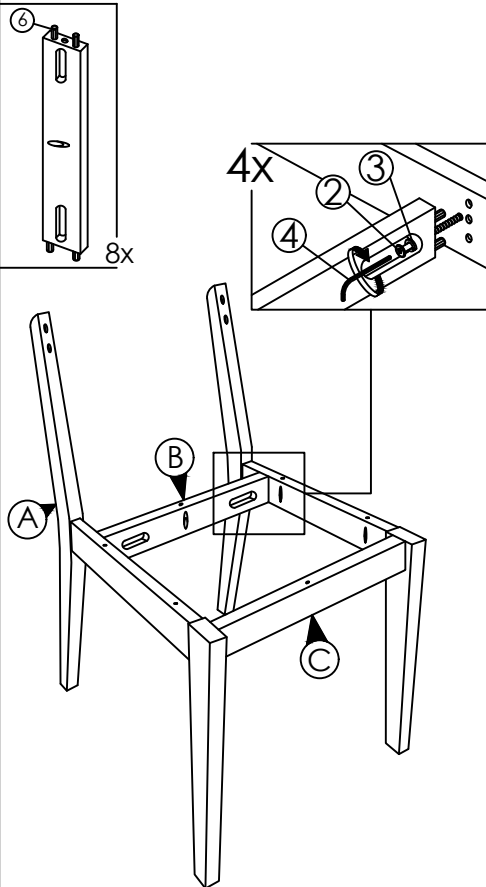
1. Do not **FULLY-TIGHTEN** the nuts or nut bolts until all are in place.
2. To prevent thread damage. Ensure that nuts or nut bolts are not over-tightened.
3. Hardware is to be kept out of reach of children.

PART LIST		
ITEM	DESCRIPTION	QTY
A	SIDE LEG (L & R)	2 PCS
B	BACK RAIL (SHORT)	1 PC
C	FRONT RAIL (LONG)	1 PC
D	BACK REST VENEER	1 PC
E	CUSHION SEAT	1 PC

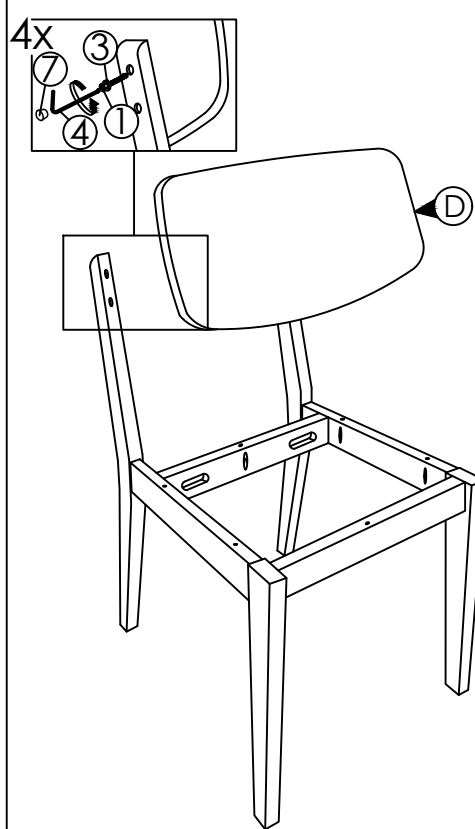
HARDWARE LIST		
ITEM	DESCRIPTION	QTY
1	JCBC SCREW M6 x 25MM 	4 PCS
2	JCBC SCREW M6 x 50MM 	4 PCS
3	SPRING WASHER 1/4" 	8 PCS
4	M4 ALLEN KEY (BALL SHAPE) LONG 	1 PC
5	PAN HEAD WOOD SCREW M5 X 32mm 	6 PCS
6	WOOD DOWEL DIA 8 X 35mm 	8 PCS
7	WOOD BUTTON (DIA : 14.5 x 9mm) 	4 PCS

8	WOOD DOWEL DIA 8 X 25mm 	2 PCS
---	---	-------

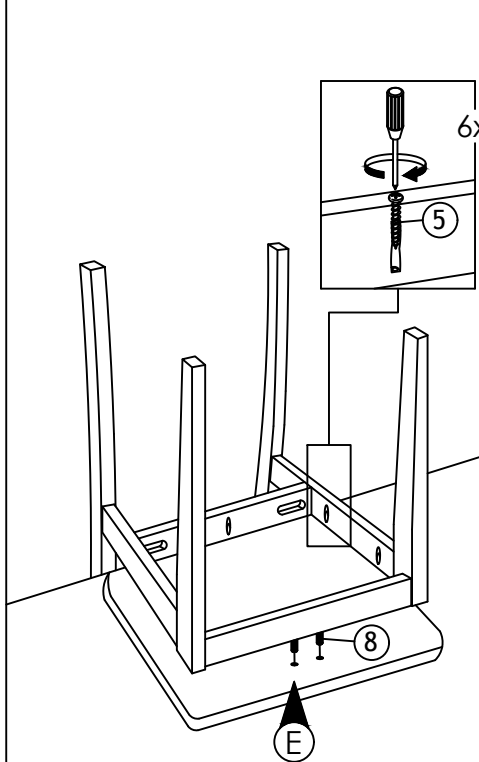
STEP 1 :



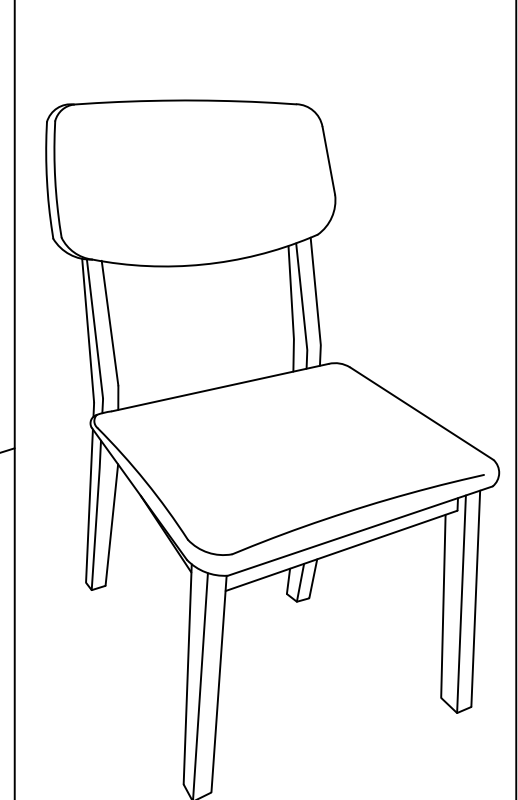
STEP 2 :



STEP 3 :



STEP 4 :



COMPLETED CHAIR ASSEMBLY